



UMT 70 S

studio microphone

with original M7 capsule

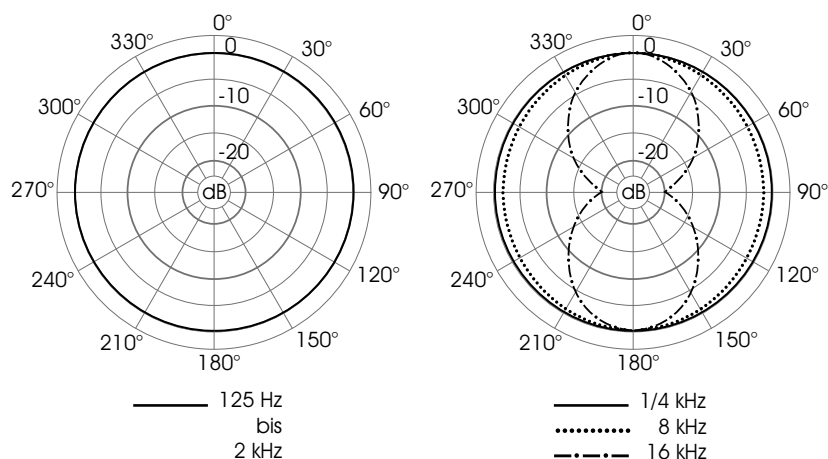
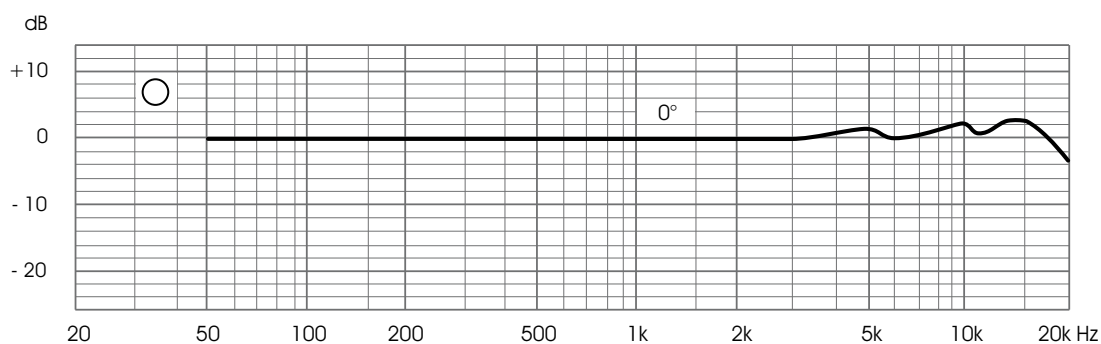
- condenser microphone
- omni-directional, cardioid, figure of 8
- large diaphragm capsule
- PVC diaphragm
- transistor pre-amplifier
- phantom powering P48

Delivery, Options and Accessories	Typ	Order-No.
Studio microphone, satin nickel	UMT 70 S	211130
Windscreen, anthracite	W 76	202407
Popscreen, black	P 110	600097
Foam disk, spare part for P 110, black		600168
Popscreen, black	P 110.W	610189
Microphone holder, satin nickel	MH 93.1	202304
Elastic suspension, satin nickel	EH 93 P	202357
Elastic suspension incl. A93, satin nickel	EA 93	212311
Adaptor for elastic suspension EA 93, nickel matt	A 93	202354
Connection cable, 10 m, XLR, black	C 70.1	202212
Connection cable, 10 m, XLR, RFI-shielded, black	C 70.1 HF	202213
Microphone bar, 25 cm, for XY / ORTF, black anodised	KS 25	202398

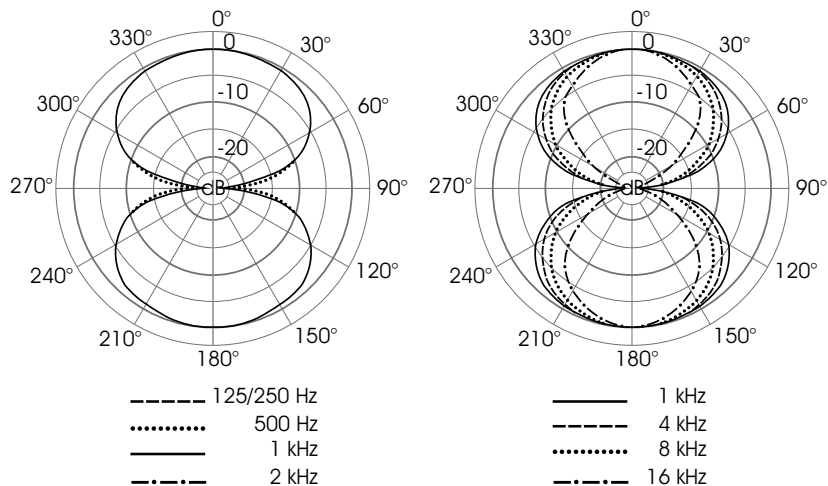
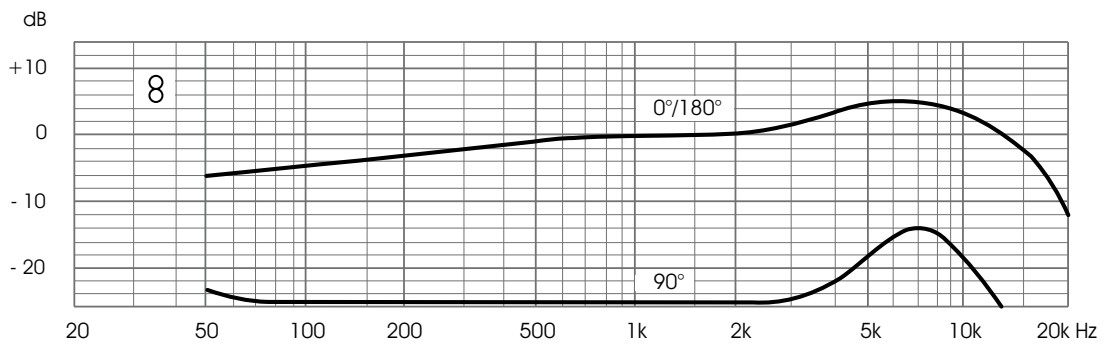
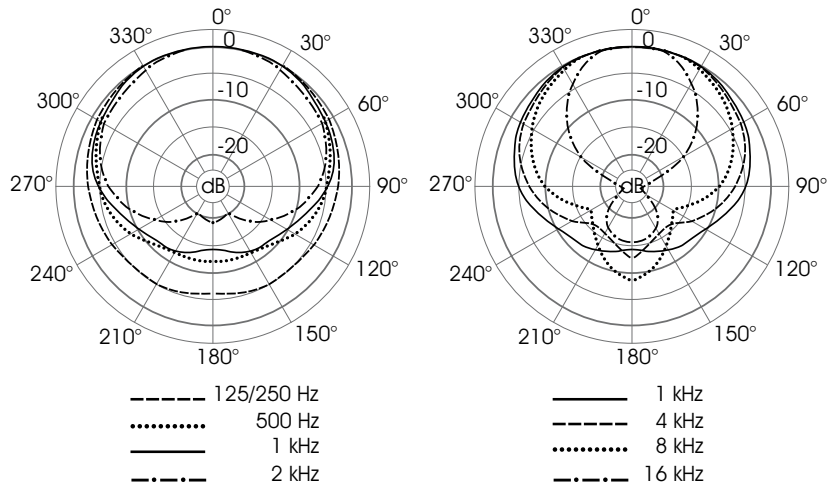
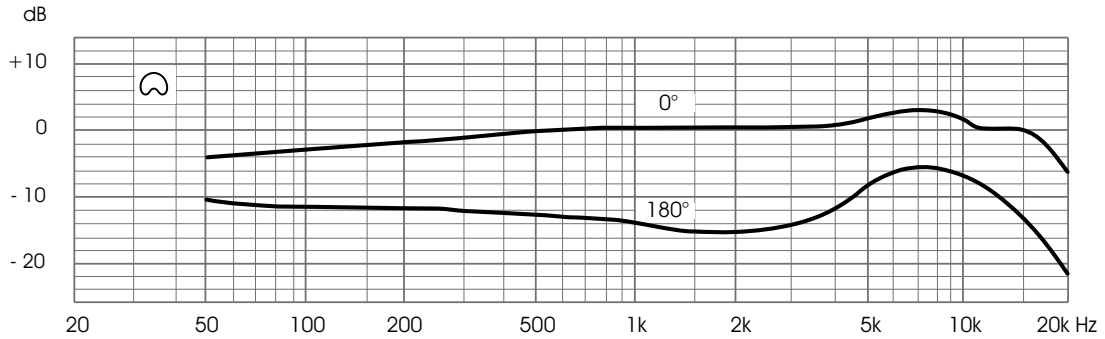
UMT 70 S



Polar pattern	omni, cardioid, figure of 8	
Acoustic operating principle	pressure gradient transducer	
Frequency range	20 Hz to 20.000 Hz	
Sensitivity at 1 kHz	7 / 13 / 8 mV/Pa ± 3 dB	
Switch position "reduced bass roll-off" at 90 Hz	-10 dB ± 1 dB	
Output impedance	150 Ω	
Noise level	CCIR 468-4	22 dB
	DIN EN 60268-4	14 dB-A
Signal-to-noise ratio	CCIR weighted	72 dB
	A-weighted	80 dB
SPL for THD 0,5 %	139 / 134 / 139 dB	139 / 134 / 139 dB
	with 10 dB preattenuation	149 / 144 / 149 dB
Dynamic range	120 dB	
Current consumption	3 mA	
Output connector	XLR3M	
Weight	290 g	
Dimensions (L x Ø)	217 mm x 42 capsule / 21 mm preamplifier	



UMT 70 S



UMT 70 S



DEN21130.01 (13.05.2026) © Microtech Gefell GmbH

Microtech Gefell GmbH · Georg-Neumann-Platz · 07926 Gefell · Germany
Phone +49 (0)36649 882-0 · Fax +49 (0)36649 882-11 · www.microtechgefell.de · info@microtechgefell.de

