



M 320

studio microphone

versatile applicable for
high quality recordings

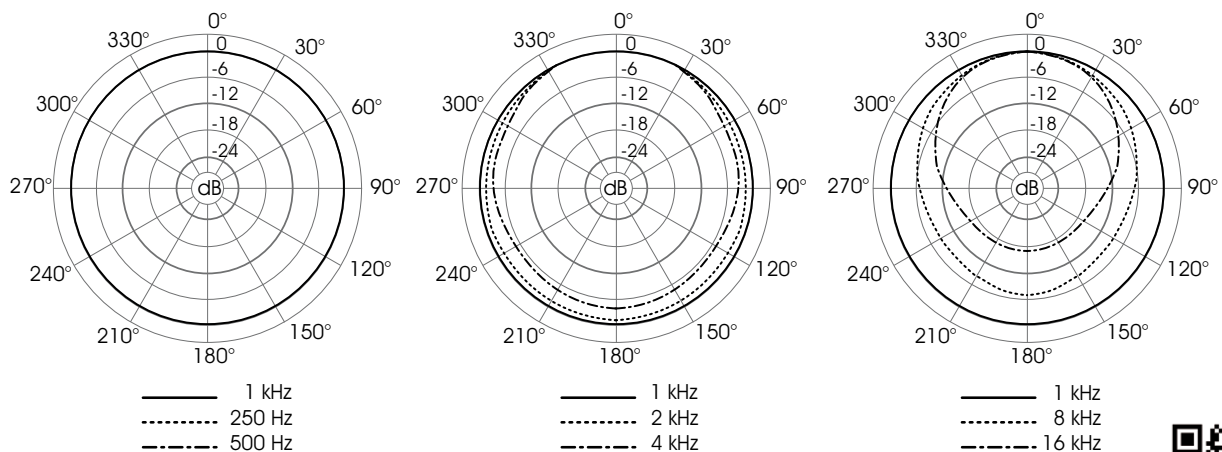
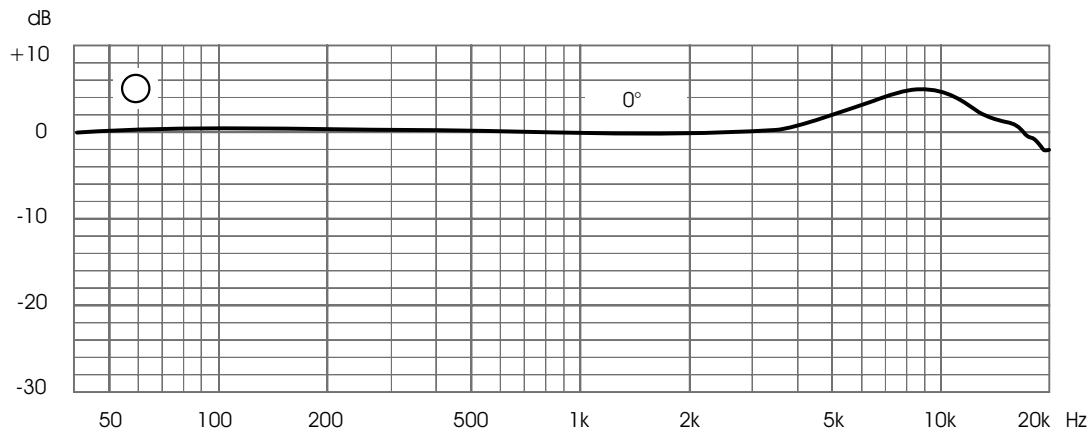
- condenser microphone
- omni-directional
- small diaphragm capsule
- PE diaphragm
- transistor pre-amplifier
- phantom powering P48

Delivery, Options and Accessories	Typ	Order-No.
Studio microphone, dark bronze	M 320	2111187
Windscreen, anthracite	W 21	202421
Popscreen, black	P 110	600097
Foam disk, black, spare part		600168
Microphone holder, Ø 21 mm, dark bronze	MH 93.1	202303
Microphone holder, Ø 21 mm, black	MH 22	302350
Elastic suspension, dark bronze	EH 93 P	202358
Table stand, black matt	TS 10	202399
Microphone bar, black	KS 25	202398
Microphone bar extension piece, black		600180

M 320



Polar pattern		Omni-directional
Acoustic operating principle		pressure transducer
Frequency range		20 to 20 000 Hz
Sensitivity at 1 kHz		16 mV/Pa
Output impedance		100 Ω
Inherent noise	IEC 268-4	13 dB(A)
	CCIR 468-4	25 dB
Signal-to-noise ratio (re 1 Pa at 1 kHz)	A-weighted	81 dB
	CCIR-weighted	69 dB
Max SPL	at 0.5% THD	144 dB
Dynamic range of electronics		131 dB
Current consumption	P48, IEC 61938	3.8 mA
Output connector		XLR-3M
Weight		125 g
Dimensions (L x \varnothing)		130 mm x 21 mm



DEN 211187.01 (01.11.2024) ©Microtech Gefell GmbH

